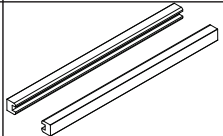
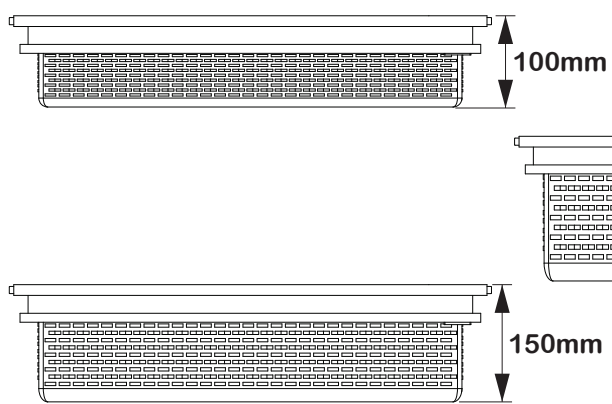


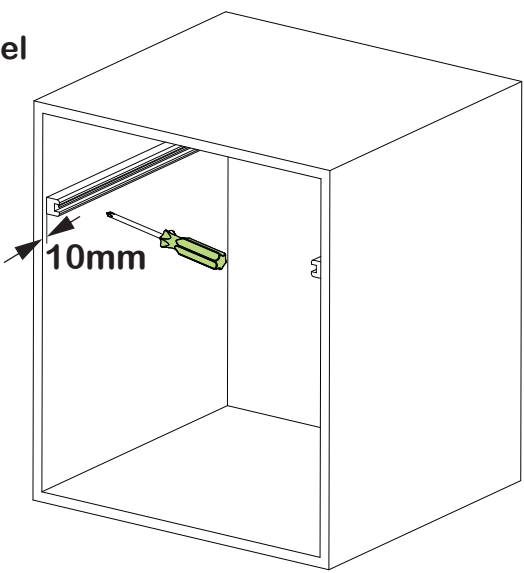
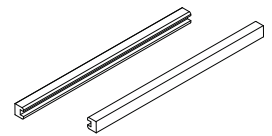
Wicker Basket

1

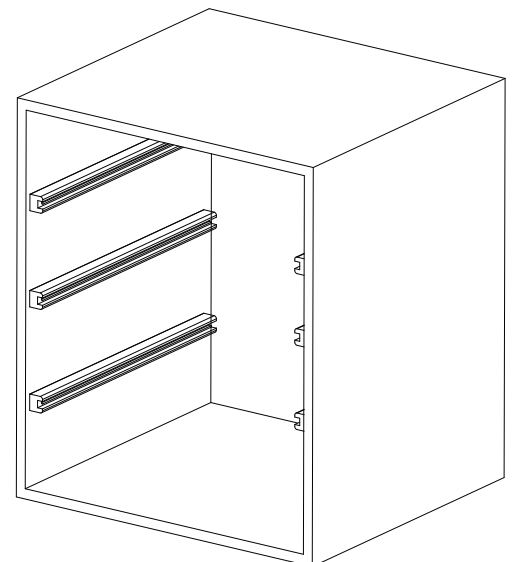
	Name	Description
1	Channel Left / Right	
2	Basket	4", 6", 8"
3	Screw	4 pc.



Step :- 1
Fix Both Side Channel
According given
Dimension

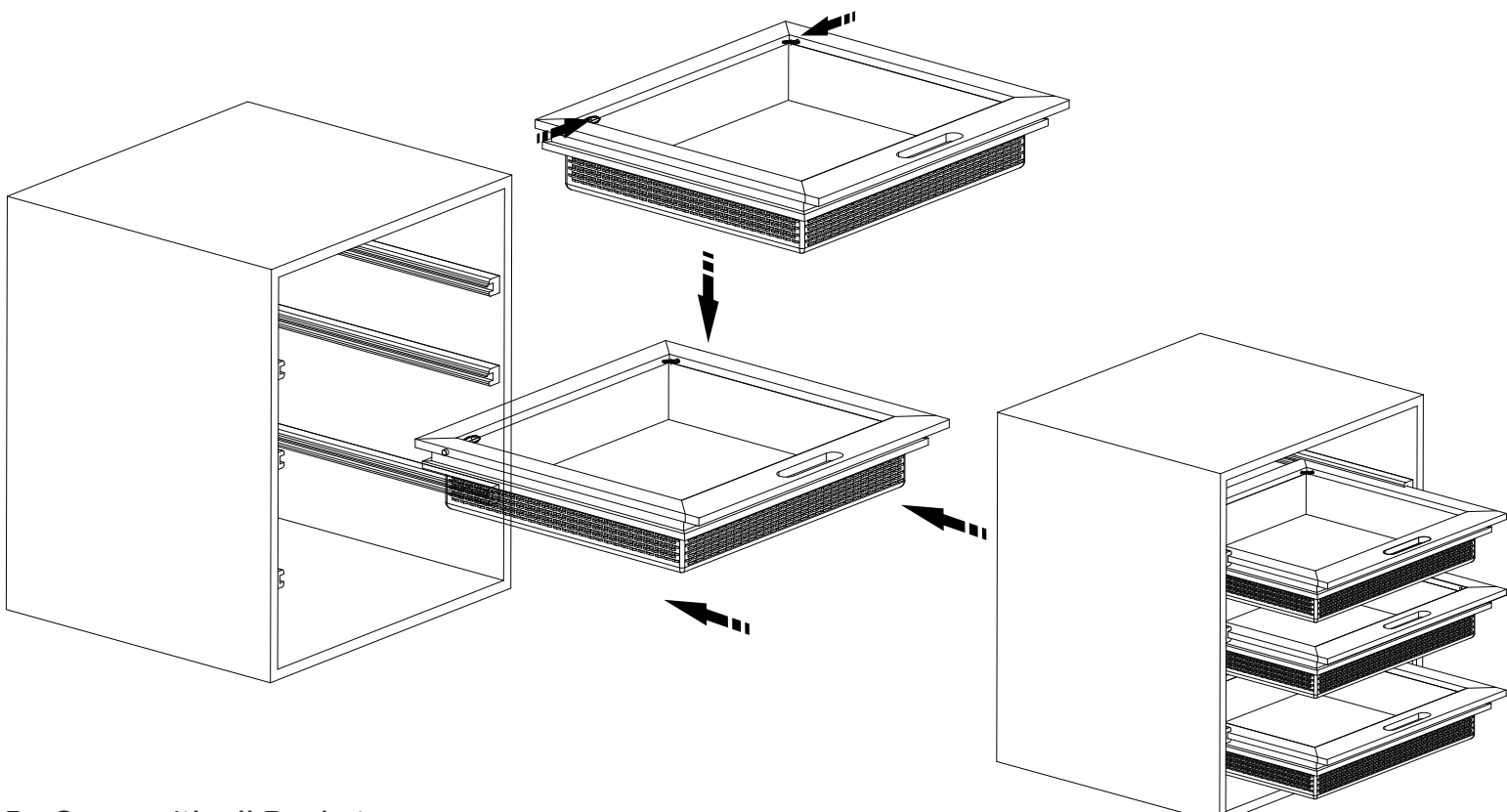


Fix other Channel According to
Available Space in your Cabinet.



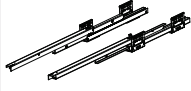
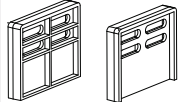

Step :- 2

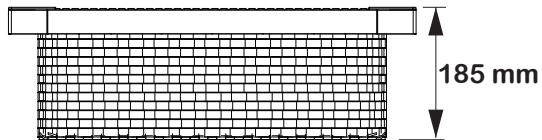
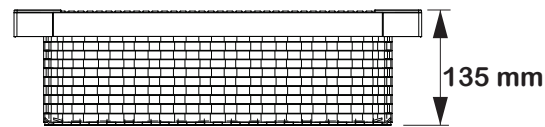
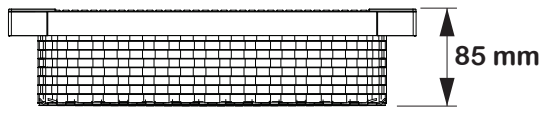
Pull Both Lock And Insert Basket into Channel and slide



Do Same with all Basket.

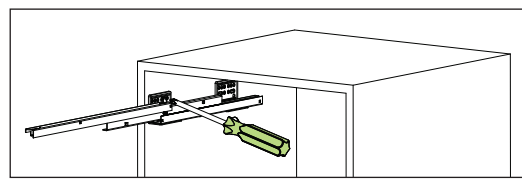
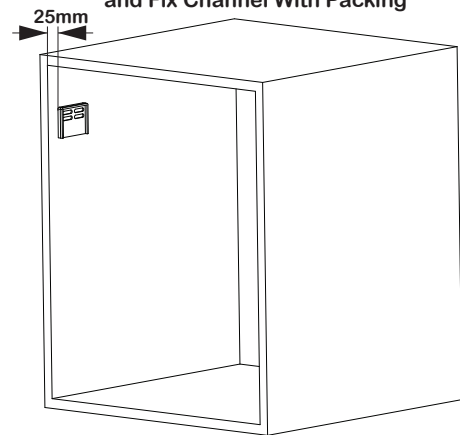
Soft-Close Wicker Basket Installation

Name	Description	Qty.
Channel		1Set
Basket	4" 6" 8"	1Set
Channel Packing		1Set
Screw		8pc.

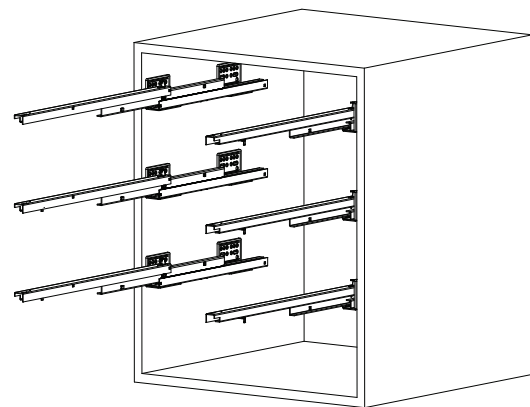


* Qty. Given 1basket set.

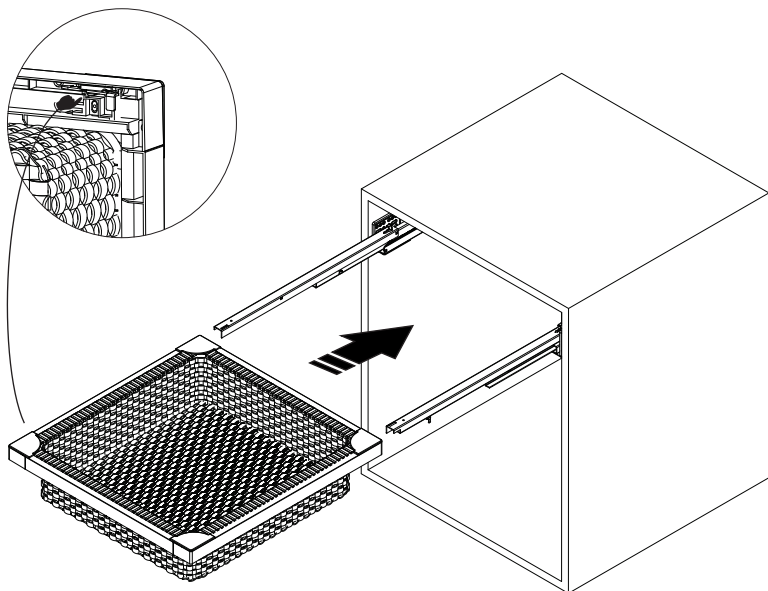
Step 1 :- Mark Given Distance and Put Channel Packing and Fix Channel With Packing



Step 2 :- Fix All Channel According To Your Requirement. Give Space According Given Basket Size.



Step 3 :- Put Basket On Channel And Lock With Clip As Shown.



Step 4 :- Do Same With All Size Basket.

